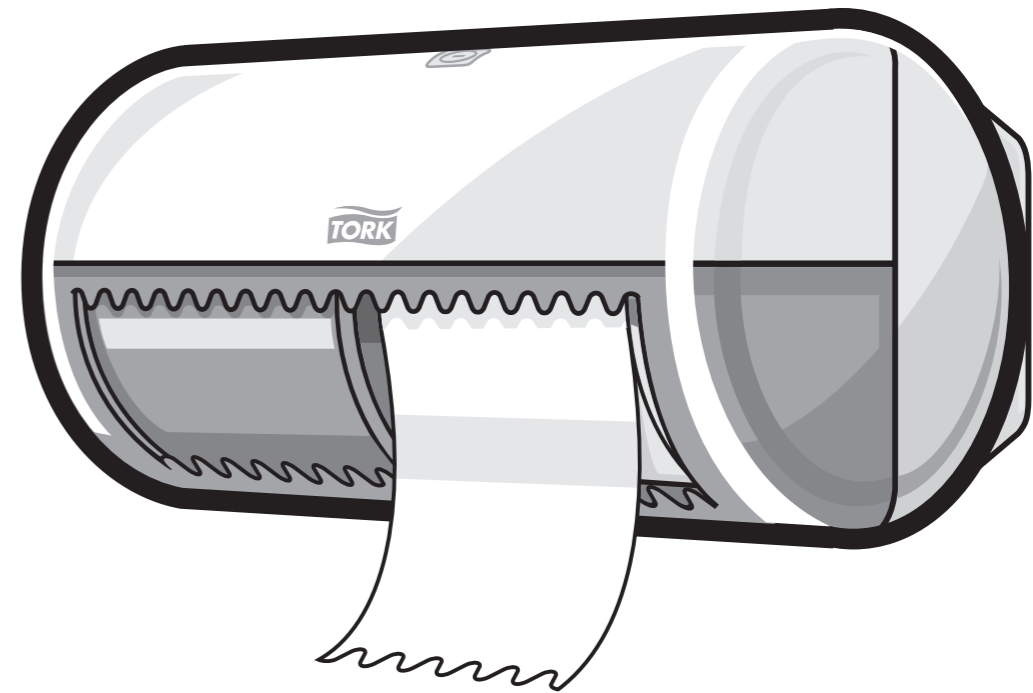


Conventional Toilet Roll Dispenser

Elevation
Design

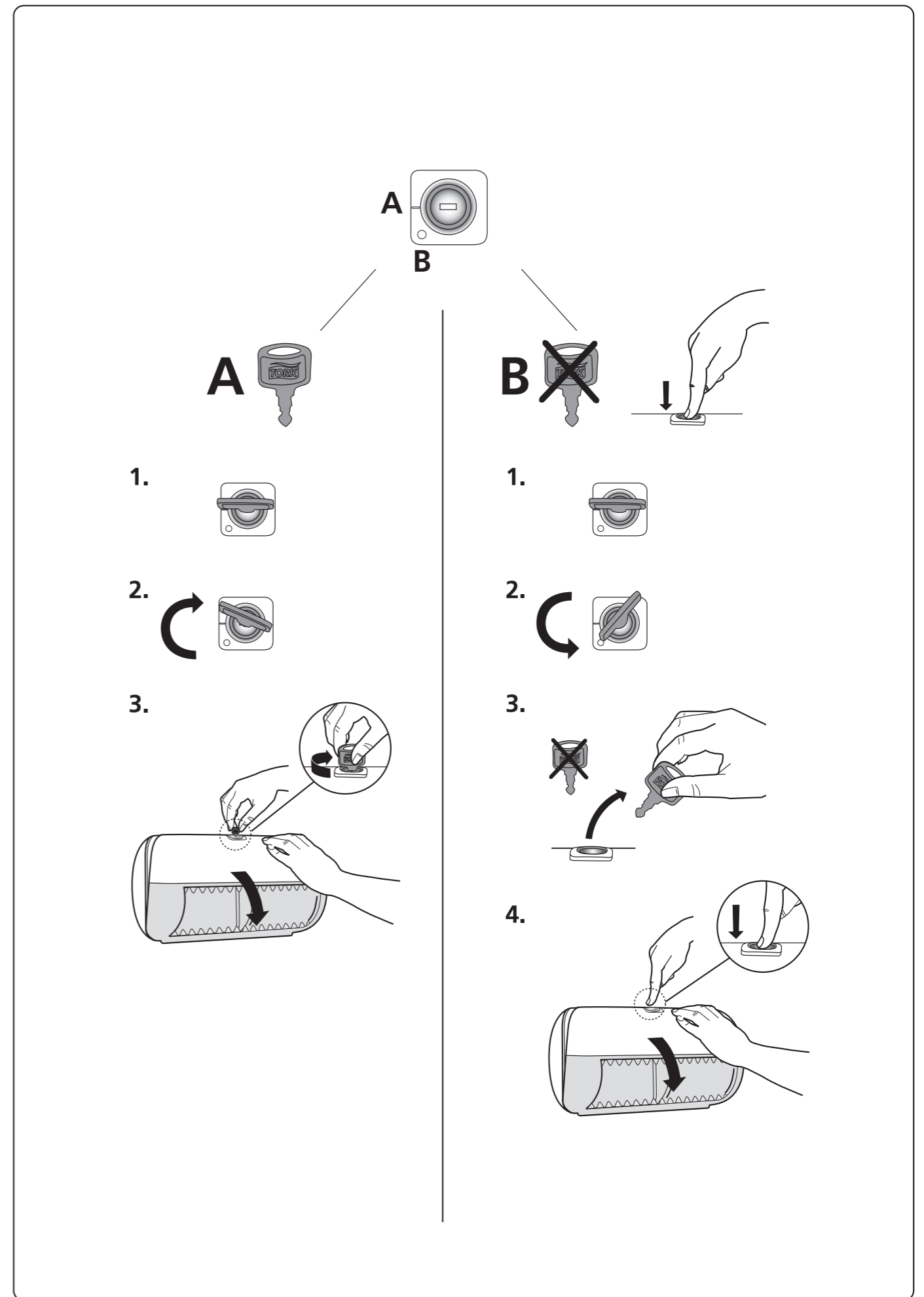
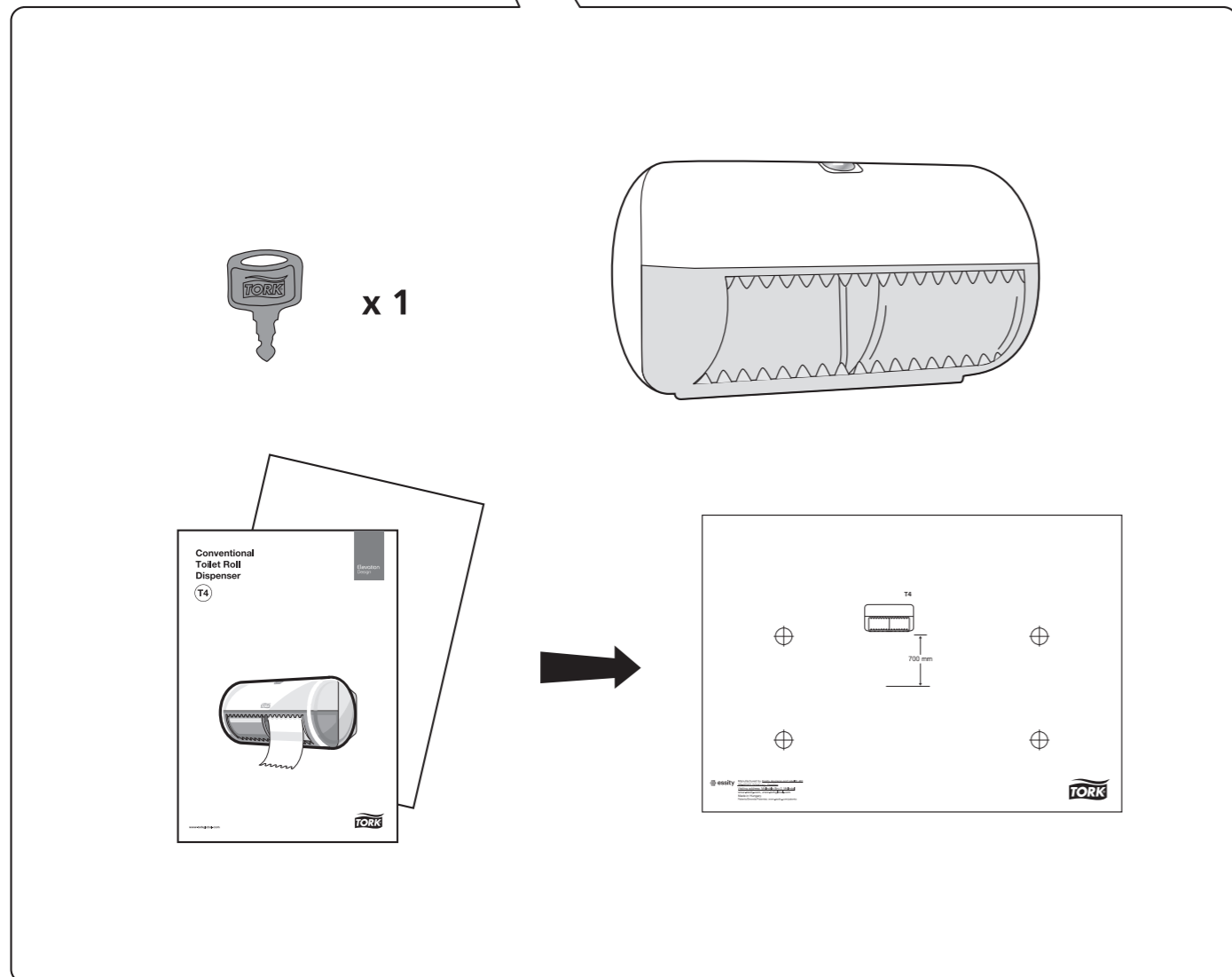
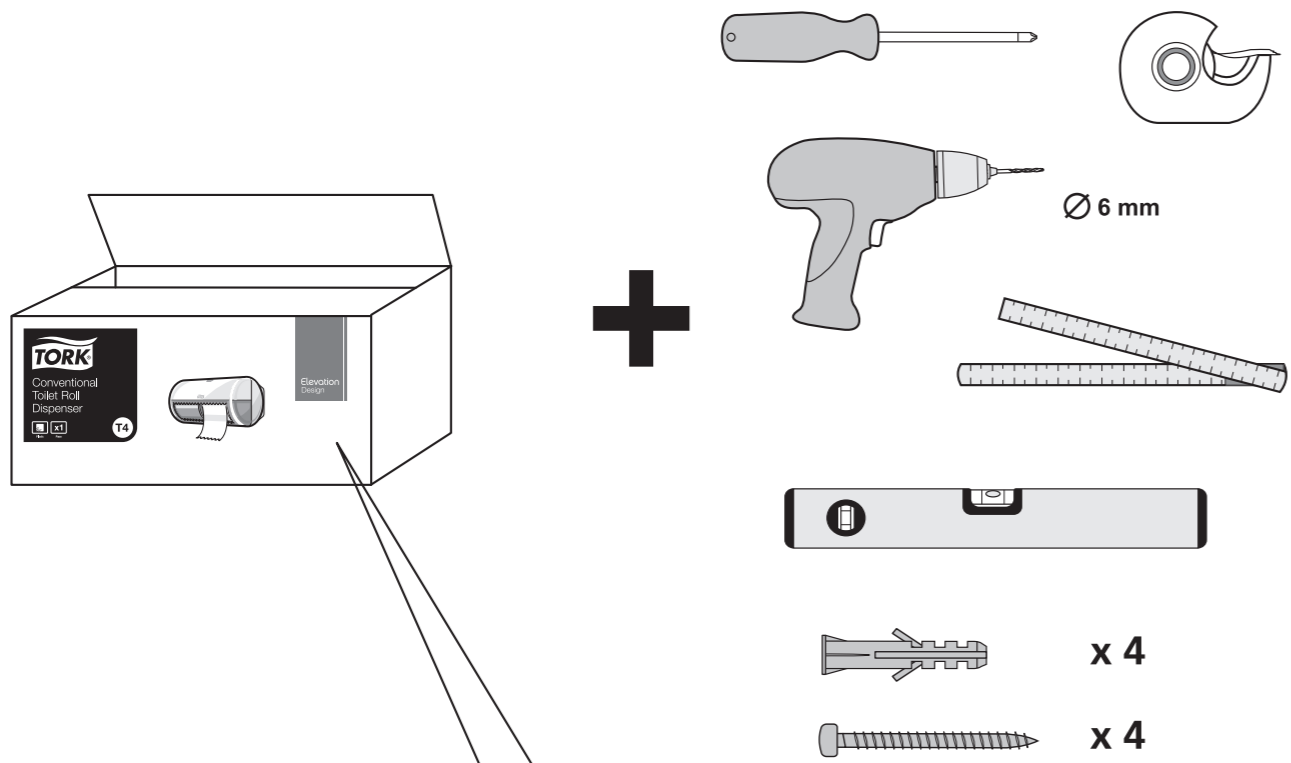
T4



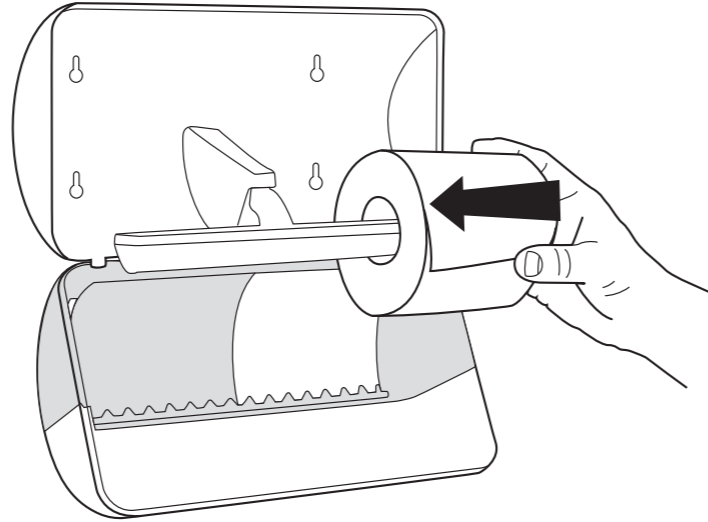
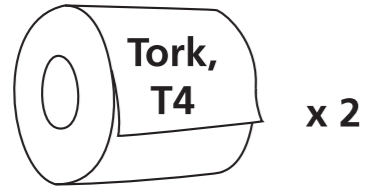
 **essity** Manufactured by Essity Hygiene and Health AB
SE-40503 Göteborg, Sweden
Visiting address: Mölndals Bro 2, Mölndal
www.essity.com, www.torkglobal.com
Made in Hungary
Patents/Brevets/Patentes: www.essity.com/patents
Essity UK Limited
Southfields Road, Dunstable,
Bedfordshire, LU6 3EJ, UK

www.torkglobal.com

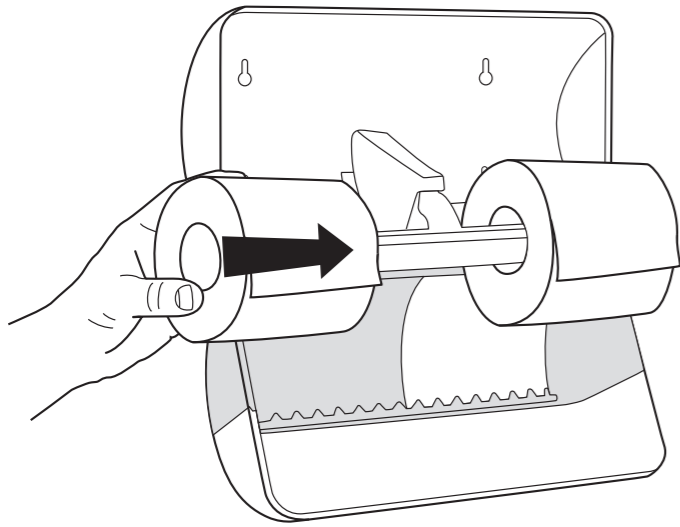




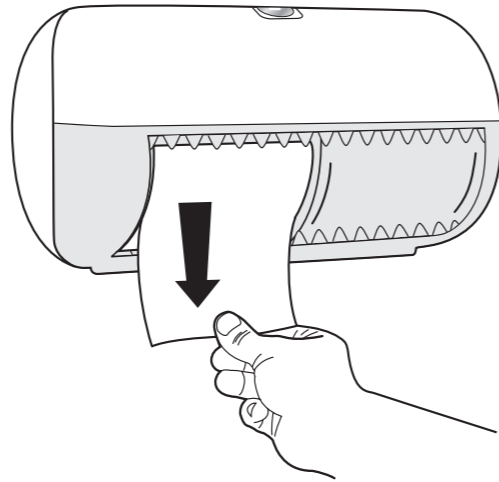
2.



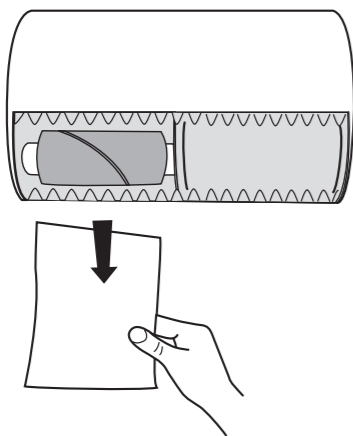
3.



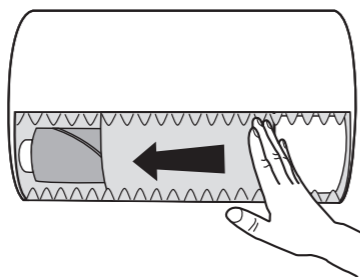
4.



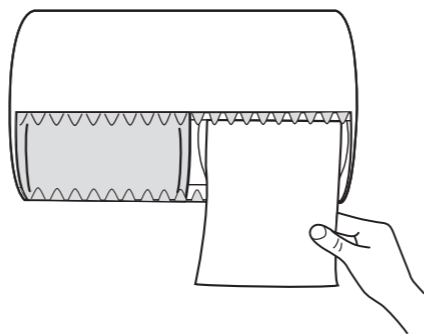
1



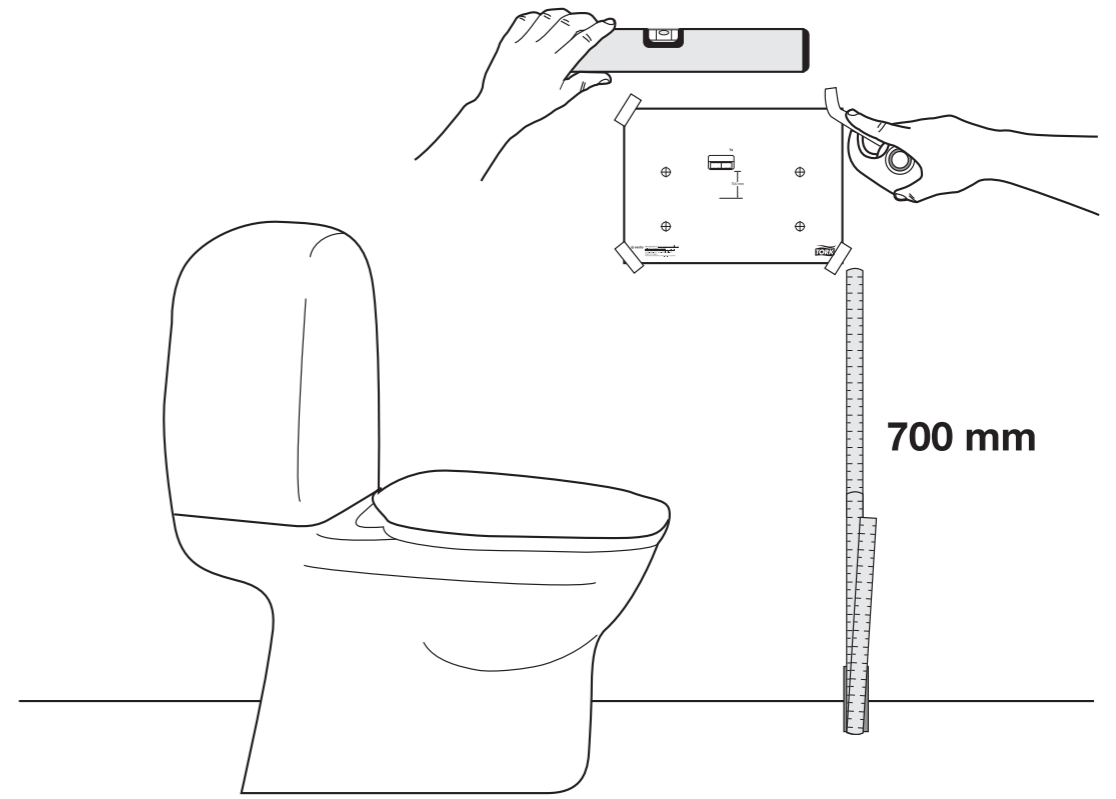
2



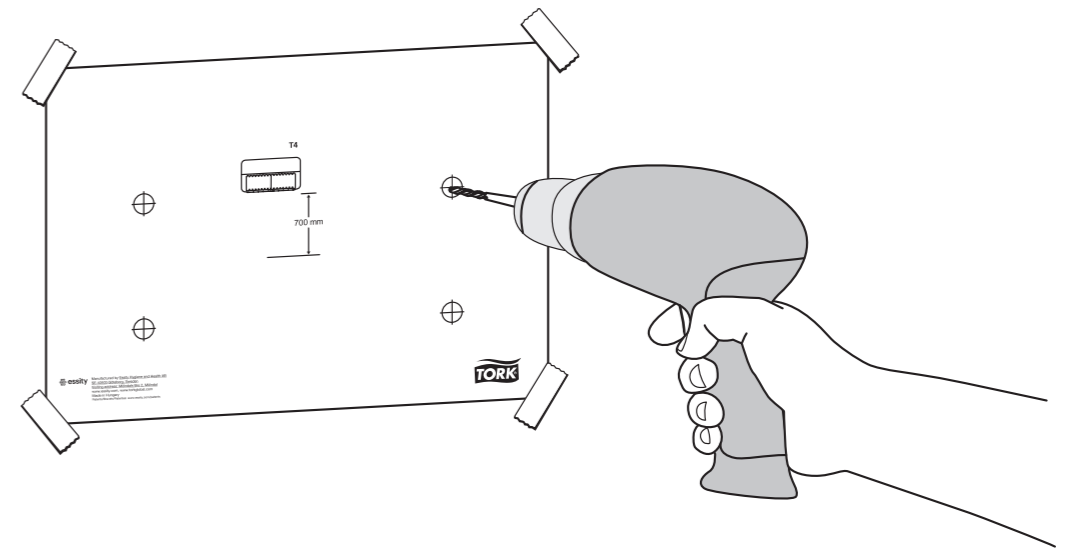
3



1.



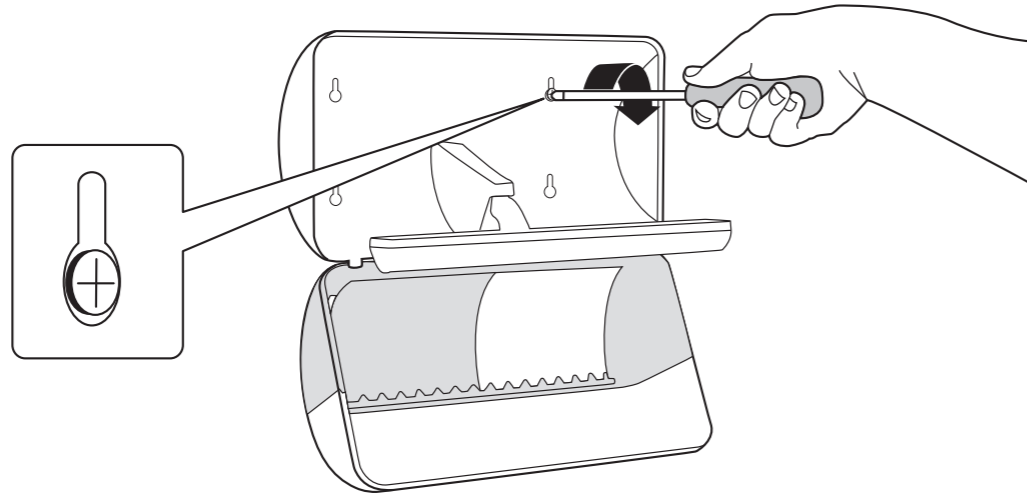
2.



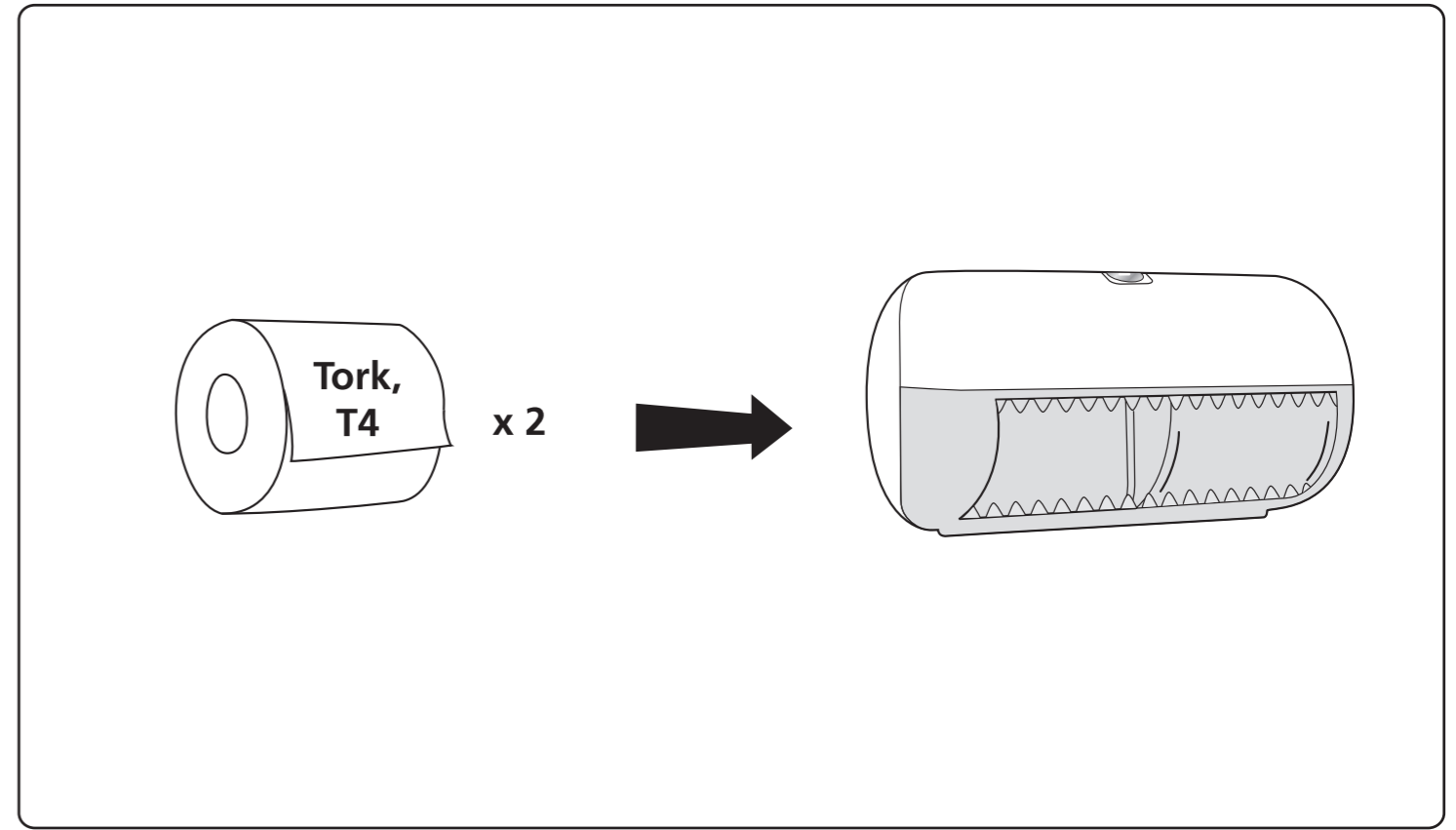
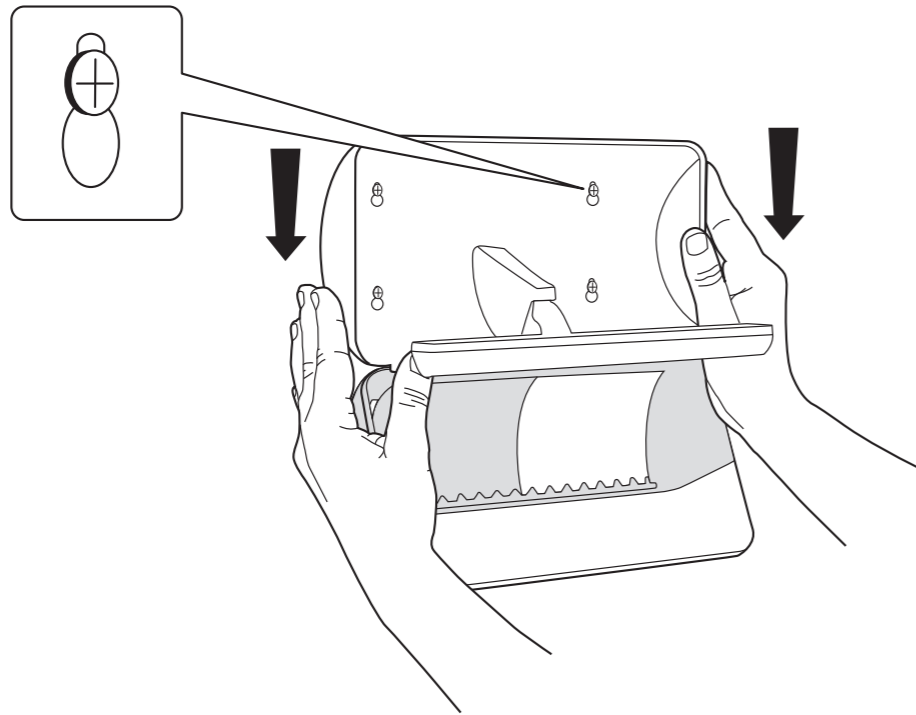
3.

 x 4

 x 4



4.



1.

